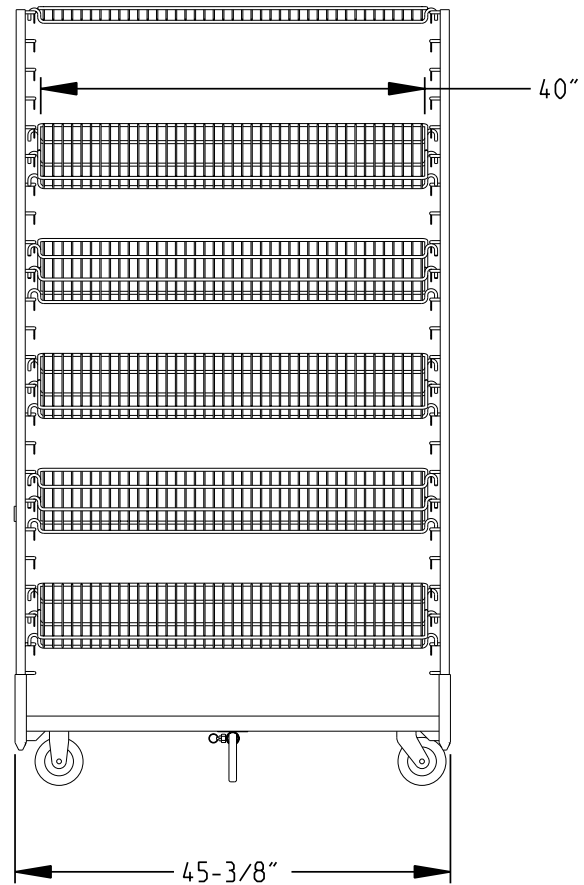
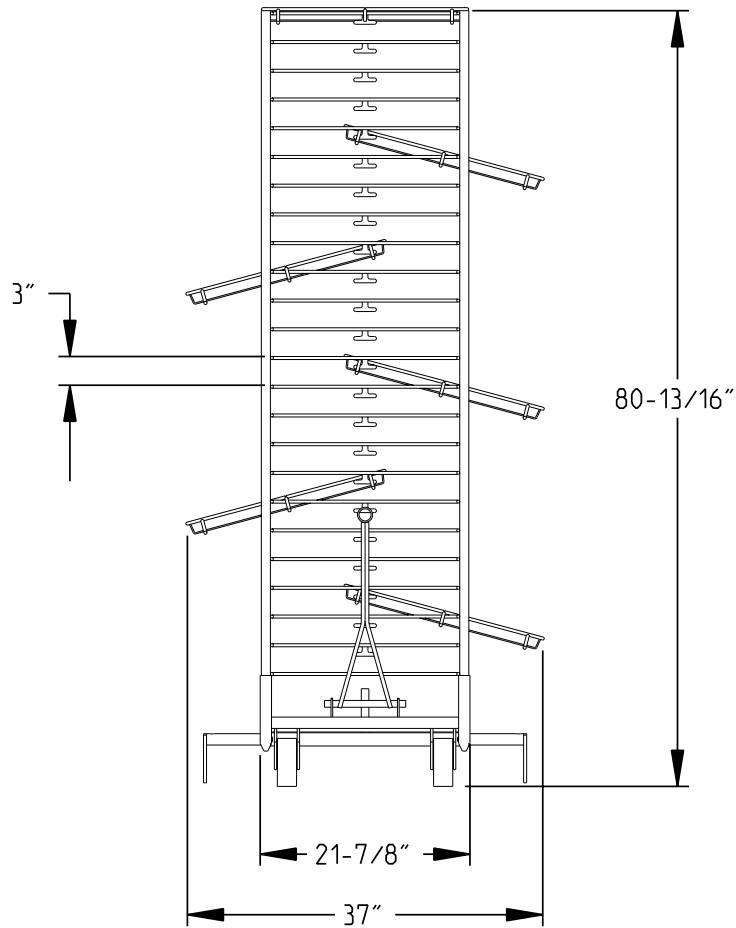


New Design, 22x45 cart display dimensions
 Other sizes available
 inno-craft.com -- ph 800-399-9761



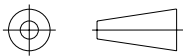
THIS DRAWING IS THE PROPERTY OF INNOCRAFT AND EXCEPT FOR THE MANUFACTURE OF ARTICLES FOR INNOCRAFT SHALL NOT BE USED WITHOUT WRITTEN PERMISSION, DRAWING TO BE RETURNED UPON REQUEST

ALL DIMENSIONS IN MILLIMETERS UNLESS NOTED

GENERAL TOLERANCES UNLESS NOTED

X	±1	ANGLE	±1°
X.X	±0.5	Ø HOLE	±0.25

THIRD ANGLE PROJECTION



SCALE
0.050



DESCRIPTION

2245 New Style Cart Assembly

MATERIAL CODE

MODELED	DATE	DRAWING	REV	SIZE
	01-Nov-08	105160-WEB		A

SHEET 1 OF 1